
Table of Contents

X5 4.6is

Subject	Page
4.6is	2
Engine.....	2
Transmission.....	3
Brakes.....	3
Additional Standard Features.....	4

X5 4.6is

The X5 4.6is is an additional model added to the X5 family of SAV's. The 4.6is receives model code FB93/0266 and is available start of production 10/01.

Features added to the 4.6is versus the 4.4:

- Increased Engine Displacement/Horsepower
- Increased Transmission Capacity
- Upgraded Brakes
- Additional Standard Features
- Special/Limited Exterior Colors
- New Interior Textures

Engine

The engine for X5 4.6is is a M62 with increased displacement and horsepower.

	M62 4.6is	M62 4.4
Displacement (cm ³)	4619	4398
Bore (mm)	93.0	92.0
Stroke (mm)	85.0	82.7
Compression Ratio	10.5:1	10.0:1
Maximum Horsepower@RPM	340 @ 5700	290 @ 5400
Maximum Torque (NM)@RPM	475 @ 3700	440 @ 3600
Engine Management System	ME7.2	ME7.2
Emission Compliancy	LEV	LEV
Performance 0-60 mph	6.2 Seconds	7.4 Seconds

Diagnostics of the 4.6is are carried out in the same manner as the X5 4.4.

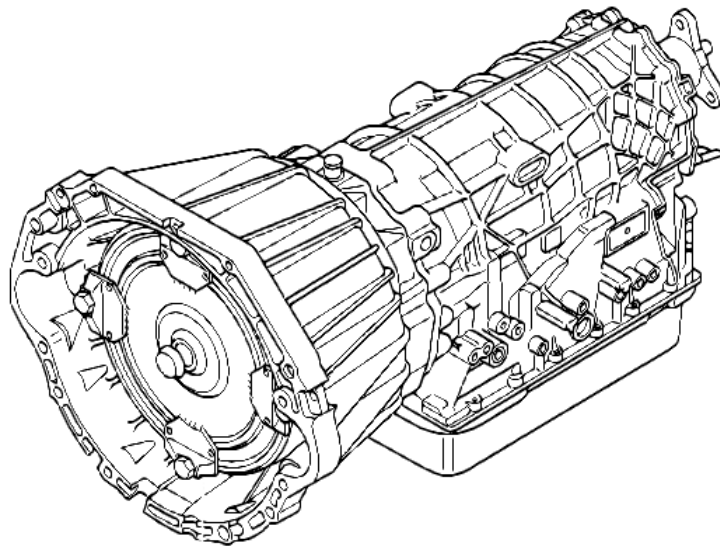


X5 4.6is

Transmission

The X5 4.6is is available only with a ZF A5S 440Z 5-speed automatic transmission which features modified internal components. Many internal components, including the torque converter have been modified to handle the increased torque and horsepower. The transmission is specific to the X5 4.6is and no other transmission should be substituted.

Programming of the transmission is also changed to better accommodate the vehicle. Transmission management will be by EGS 8.60.2. Transmission diagnostics will be handled in the same manner as other models.



Brakes

Front and rear brakes are upgraded on the X5 4.6is. Brake rotor size is increased from the 13.1 in. front normally found on the X5 4.4 to a size of 14.0 in. on the 4.6is. While rear brake rotor diameter remains the same on the 4.6is at 12.8 in., the thickness of the rotor is increased and the rear rotor is now ventilated similar to the front rotor.

With these changes brake calipers, brake rotors and brake pads for both front and rear are vehicle specific for the X5 4.6 and similar components from other models may not be interchanged.



Additional Standard Features

The following equipment is added to the 4.4 model equipment for the X5 4.6is:

Glass Moonroof
Self Dimming Mirrors
Rear Seat Heating
Rain Sensor
CD Changer

Roller Sun Blinds For Rear Doors
Rear Seat Back Adjustment
PDC
Premium Sound System
Privacy Glass

Colors

Special colors and combinations along with special interior packages are available. Refer to marketing information for current availabilities.

